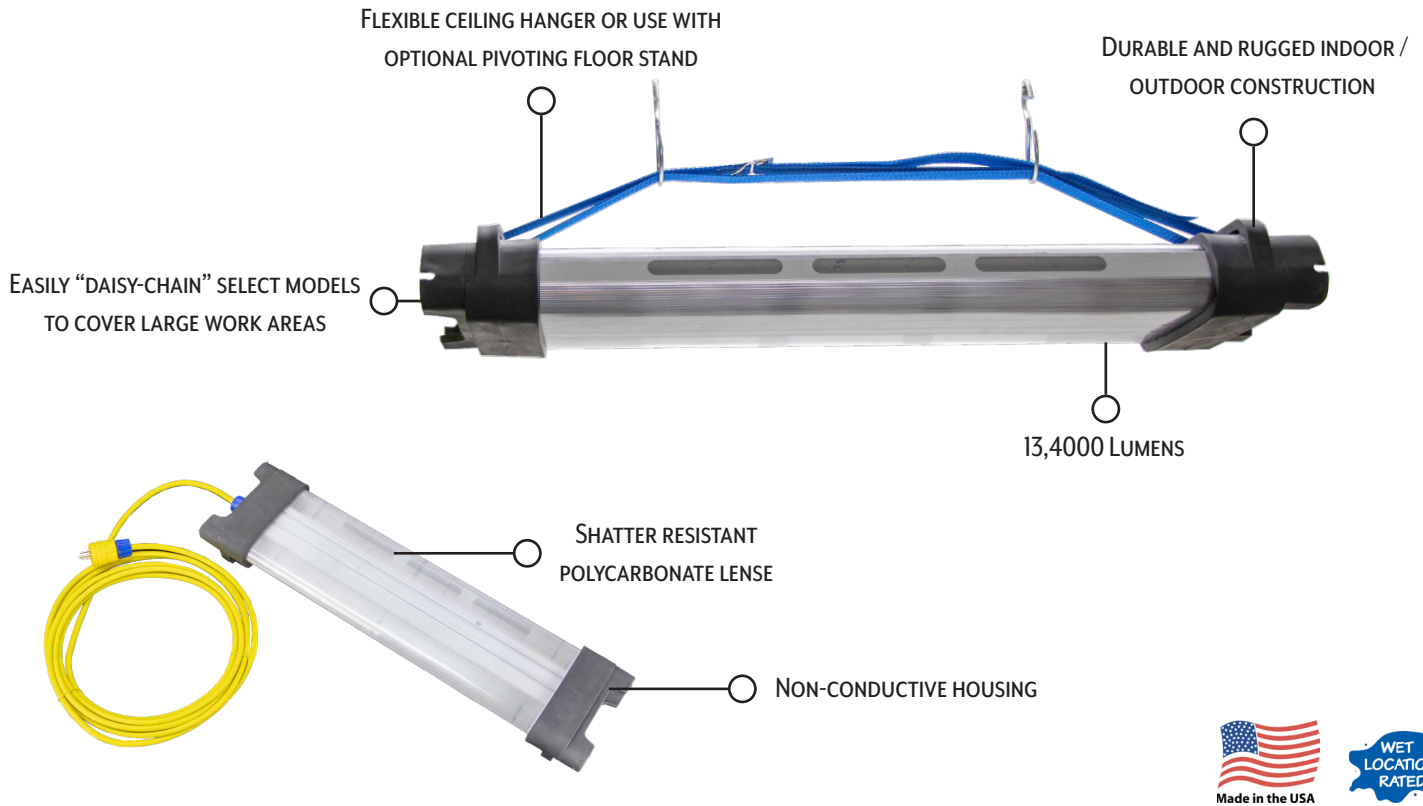


1239 Series GEN 3 LED Heavy Duty Wide Area Lighting

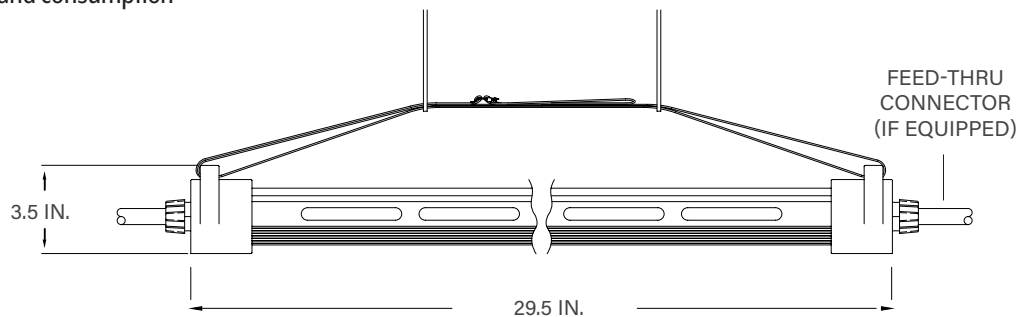


Other Standard Features:

- LED energy efficient lighting technology
- Lightweight, heavy duty and impact resistant material
- Designed for cable egress to prevent cable pinching when unit is storage or used in a vertical orientation
- Select units contains a backup driver and emergency driver
- The emergency driver is rated 10 Watts and provides emergency egress lighting
- Battery provides egress light for 90 minutes minimum
- Cool white and glare free LED for reduced eye stress
- Green and ecologically friendly materials
- Low power utilization and consumption
- Made in USA

Applications:

- Tunnel Lighting
- Emergency Medical Care
- Task Lighting
- Defense/Safety
- Tent Lighting
- Entertainment Venues
- Utility Maintenance
- Sporting Events



Selection Guide:

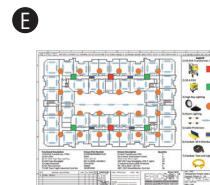
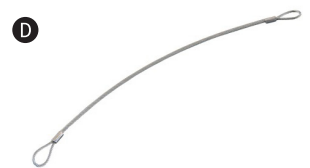
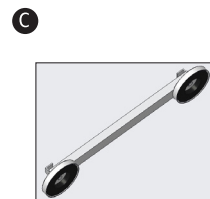
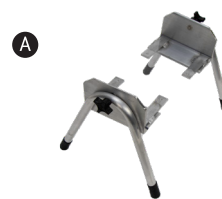
	Part No.	Electrical Rating	Primary Cord Length (feet)	Secondary Cord Length (feet)	Primary Plug (NEMA)	Secondary Connector (NEMA)	Lumens	Color	Weight
Standard LED Lighting	1239-6-LED	120VAC .73A 88W	5 ft	None	5-15	None	13400	5000K	11.8 lbs.
	1239-6F-LED	120VAC 12A 1500W	5 ft	.5 ft	5-15	5-15	13400	5000K	12.6 lbs.
	1239-25-LED	120VAC .73A 88W	25 ft	None	5-15	None	13400	5000K	13.4 lbs.
	1239-25F-LED	120VAC 12A 1500W	25 ft	.5 ft	5-15	5-15	13400	5000K	15.2 lbs.
	1239-50-LED	120VAC .73A 88W	50 ft	None	5-15	None	13400	5000K	15.5 lbs.
	1239-50F-LED	120VAC 12A 1500W	49.5 ft	.5 ft	5-15	5-15	13400	5000K	18.5 lbs.
Emergency Egress Lighting	1239-6-LED-EL	120VAC .76A 92W	5 ft	None	5-15	None	13400	5000K	15.5 lbs.
	1239-6F-LED-EL	120VAC 12A 1500W	5 ft	.5 ft	5-15	5-15	13400	5000K	16.4 lbs.
	1239-25-LED-EL	120VAC .76A 92W	25 ft	None	5-15	None	13400	5000K	17.2 lbs.
	1239-25F-LED-EL	120VAC 12A 1500W	25 ft	.5 ft	5-15	5-15	13400	5000K	19 lbs.
	1239-50-LED-EL	120VAC .76A 92W	50 ft	None	5-15	None	13400	5000K	19.2 lbs.
	1239-50F-LED-EL	120VAC 12A 1500W	49.5 ft	.5 ft	5-15	5-15	13400	5000K	22 lbs.

Replacement Parts:

Part Number	Description
1239-TS	Tube shield
1239-P-BLK	End cap with cord grip bushing. It can be used for the primary and secondary side with feed-thru
1239-S-BLK	End cap without cord grip bushing. It can be used for the secondary side of base units only

Accessories and Services:

Part Number	Description
A FS-PIVOT	FLOORSTAND, PIVOT, 1239 SERIES WIDE AREA LAMP
B FS-FOOT	FLOORSTAND, SINGLE FOOT, 1239 SERIES WIDE AREA LAMP
C 1239-MAG	MAGNET MOUNT, 1239 WIDE AREA LAMP
D 1239-LS	LANYARD STRAP, 1239 WIDE AREA LAMP, STEEL CABLE
E N/A	TEMPORARY LIGHTING LAYOUT SERVICES
F N/A	RFID TAGGING SERVICES



Ericson Manufacturing Company
4323 Hamann Parkway
Willoughby, OH 44094, USA



1.800.374.2766
info@ericson.com
www.ericson.com
L1000527D